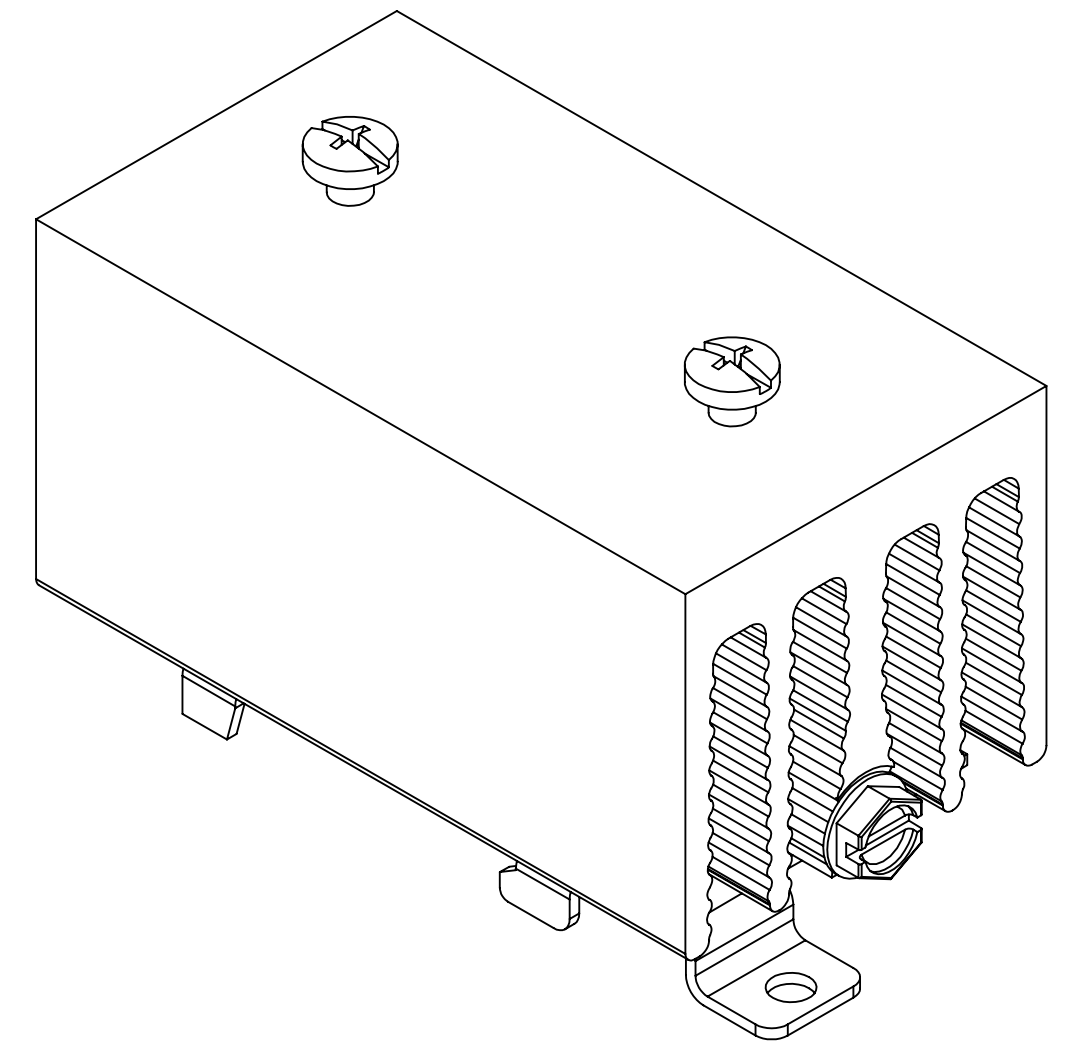
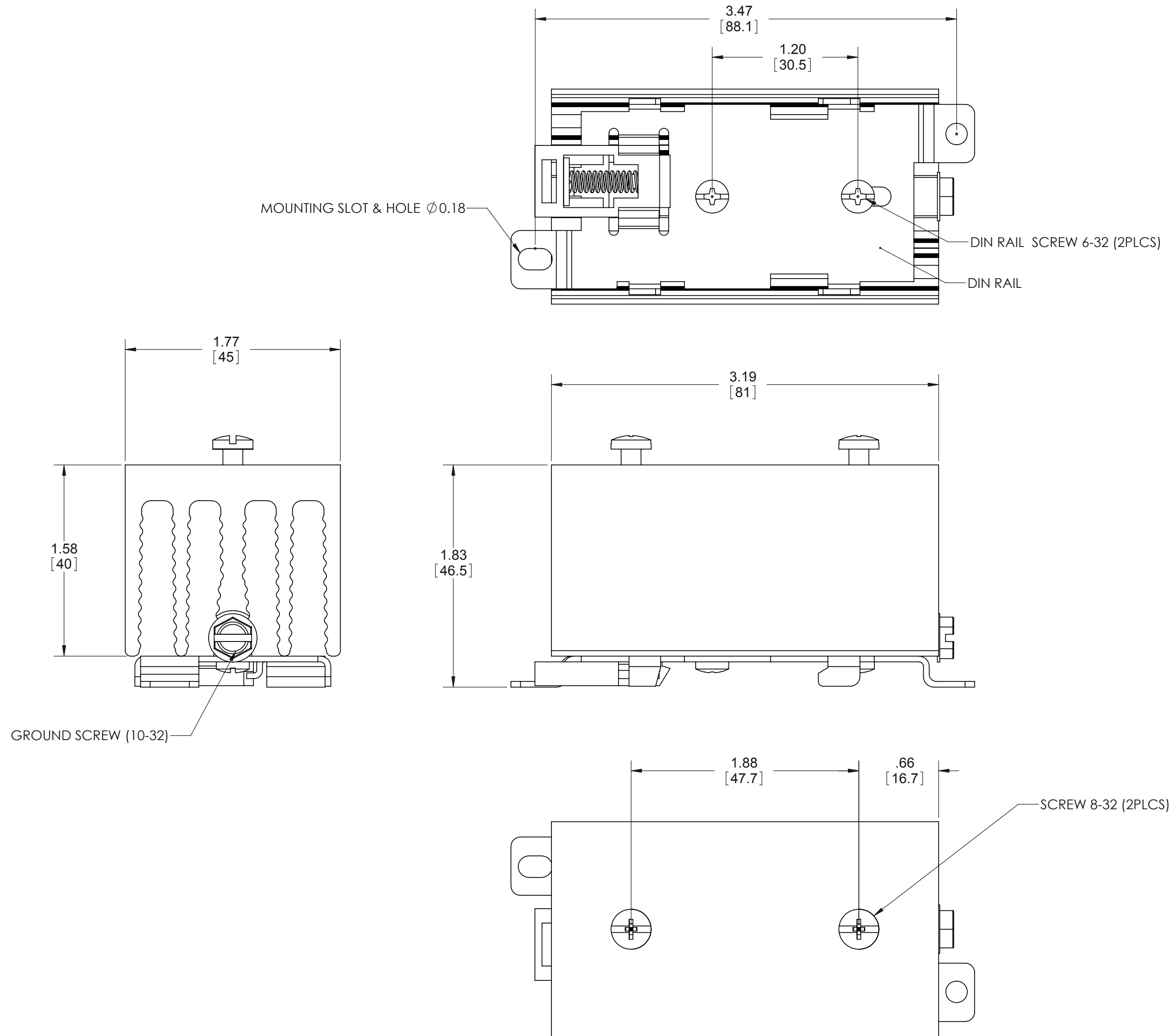


HEA TSINK HS301DR



Tolerances: \pm 0.02 in / 0.5 mm. All dimensions are in: inches [millimeters]